



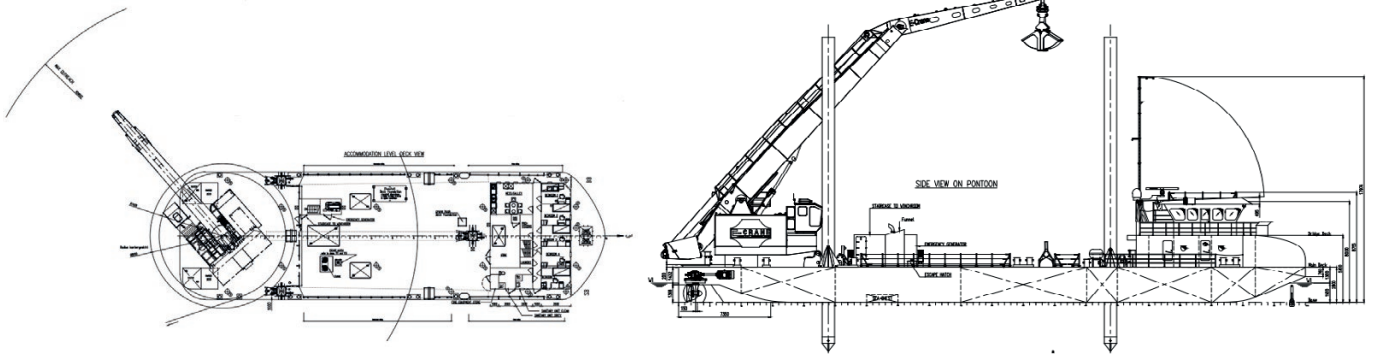
# ALBATROS

CRANE AND DREDGING VESSEL

[www.herbosch-kiere.com](http://www.herbosch-kiere.com)

# ALBATROS

## CRANE AND DREDGING VESSEL



*Shallow draft self-propelled vessel equipped with a low emission, energy efficient E-Crane® for a wide range of activities such as grab dredging, rock installation and salvage work.*



Crane vessel / Rock installation



Grab Dredger

Length	50.00 m
Breadth	15.00 m
Draught loaded	1.916 m
Draught empty	1.640 m

Accommodation 5 single cabins

Propulsion 2 Azimuth thrusters 331 kW  
Bow Thruster 349 kW

Total install Diesel power 948kW

Spuds 3 spuds of 25 m

Classification Bureau Veritas  
I HULL • MACH • AUT-UMS  
Coastal Area  
Special Service / Grabcrane Unit

Equilibrium crane

Max. depth below wl 20.00 m  
Max. Reach 29 m  
Capacity 23 T  
Bucket 3 to 6 m<sup>3</sup>  
Penetration power 300-400 kPa